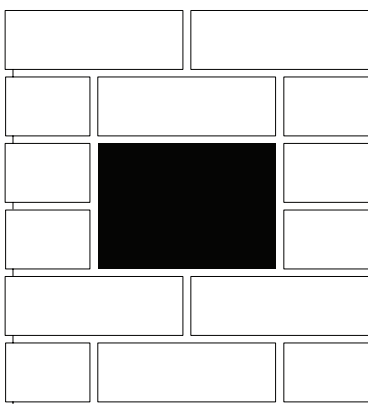
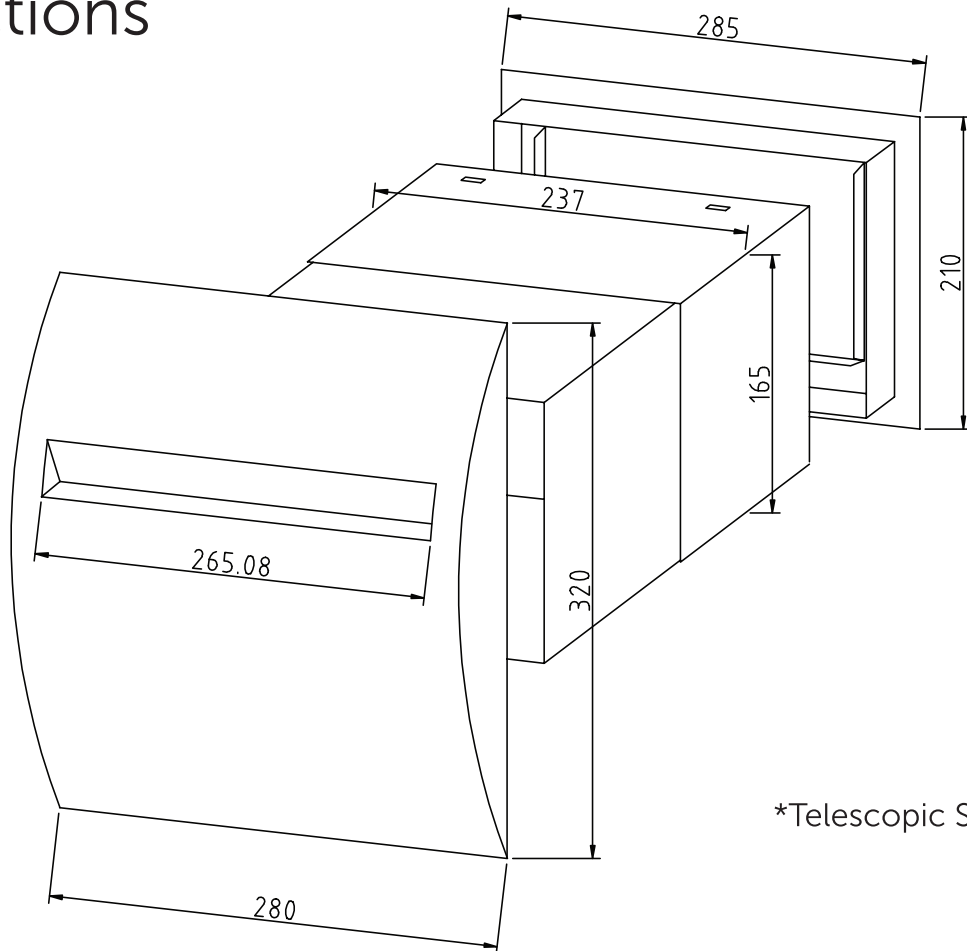


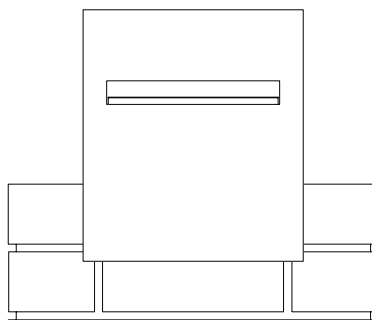
# Sparta

A4 Rear Opening Set

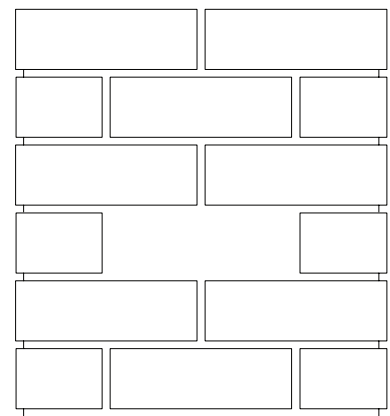
## Instructions



**SLEEVE FITS INTO  
1 BRICK WIDE BY  
2 BRICK HIGH CAVITY**



**Build up brickwork to  
desired height and set  
letterbox in place**



**Complete remaining  
brickwork**